

**Series 4, fully-integrated dishwasher,  
60 cm  
SMV46KX01I**



**Gentle - even to your ear. Our SilencePlus.**

- **ExtraDry:** extra-thorough drying option for difficult-to-dry loads.
- **AquaStop:** 100% lifetime warranty for water damages guaranteed.
- **Glass 40°C:** protective program for gently cleaning and drying glasses.
- **EcoSilence Drive:** especially energy-saving and silent in operation with a particularly high life span.

---

**Technical Data**

Cleaning performance : A  
Water consumption : 9.5 l  
Total annual energy consumption 220 days : 202 kWh  
Total annual water consumption 220 days : 2090 l  
Built-in / Free-standing : Built-in  
Removable top : No  
Door panel options : Not possible  
Height of removable worktop : 0 mm  
Height of the product : 815 mm  
Adjustable feet : Yes - all from front  
Maximum adjustability feet : 60 mm  
Net weight : 30.9 kg  
Gross weight : 32.7 kg  
Connection Rating : 2400 W  
Fuse protection : 10 A  
Voltage : 220-240 V  
Frequency : 50; 60 Hz  
Length electrical supply cord : 175 cm  
Length inlet hose : 165 cm  
Length outlet hose : 190 cm  
Hidden heating element : Yes  
Water protection system description : Triple water protection 24h  
Child safety devices : No  
Water softener : Yes  
Top basket type : mid  
Adjustable upper basket : Rackmatic 3-stage  
Bottom basket type : mid  
3rd Rack : 3rd Rack 1.1  
Optional accessories : SGZ1010, SGZ8BI00, SMZ2014, SMZ2056, SMZ5003, SMZ5006, SMZ5100  
Included accessories 2 : vapor barrier plate  
Number of place settings : 14  
Color / Material panel : Stainless steel  
Dimensions of the product (HxWxD) : 815 x 598 x 550 mm  
Dimensions of the packed product (HxWxD) : 870 x 660 x 660 mm



## Series 4, fully-integrated dishwasher, 60 cm SMV46KX01I

### Gentle - even to your ear. Our SilencePlus.

#### Specifications

- Dimensions (HxWxD): 81.5 x 59.8 x 55 cm
- Capacity: 14 Place Setting
- Energy Efficiency Class: A++
- Energy consumption in programme Eco 50: 0.92 kWh
- Water consumption in programme Eco 50: 11-14 litres
- A rated performance for washing and A for drying
- Programme time in programme Eco 50: 210 min
- Noise level: 46 dB

#### Programmes

- 6 programmes: Intensiv 70 °C, Auto 45-65 °C, Eco 50 °C, Glas 40 °C, 1h 65 °C, Vorspülen
- 3 special options: VarioSpeedPlus, HygienePlus, Extra Dry

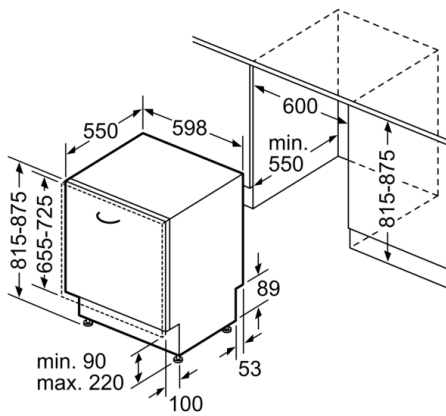
#### Features

- DosageAssist
- Glass care system
- Machine Care
- emotionLight
- 5 temperatures cleaning temperatures
- speedMatic hydraulic system
- EcoSilence Drive
- AquaSensor
- Automatic detergent detection
- Heat exchanger.
- halfLoad
- Regeneration electronics
- vario baskets
- Push button top controls
- Remaining programme time indicator (min)
- Acoustic end of cycle indicator
- infoLight
- aquaStop with guarantee
- Time delay: 1 - 24 hr
- LED salt refill indicator
- LED rinse aid refill indicator
- Door latch
- aquaStop water protection system with guarantee
- Inner Tub: Inner tub: Stainless steel/Polinox

#### Capacity and Design

- Cutlery drawer 1.1
- Adjustable upper rack: Rackmatic 3-stage
- 2 foldable plate racks & 2 cup shelves in top basket
- 4x flip tines divided
- vario basket system
- including Steam protection plate
- Frontadjustable rear foot

## Series 4, fully-integrated dishwasher, 60 cm SMV46KX01I



measurements in mm

